

## Sink Phantom Base Gun Metal

Recommended for 12mm thickness

Kitchen Sinks

Code: 5554 046



### DETAILS

Coloring	Gun Metal
Finish	PVD
Material	AISI 304 stainless steel
Texture	Brushed in line
Dimensions	430x430 mm for 12 mm thick sheets
Standard fittings	Drain, Foster overflow and universal corrugated pipe (for installing different overflows), Boxed packing
Built-in hole	<a href="#">View technical data sheet</a>
Bowl dimension	400x400mm
Number of bowls	1 bowl

Waste fitting

3,5" drain

---

## FEATURES

Gun Metal

The Gun Metal finish is obtained by treating steel with a physical process called PVD (Physical Vacuum Deposition) which deposits particles of noble metals on the surface. The result is a unique and refined aesthetic effect, and an improvement of the mechanical properties of the steel which is more resistant to impact and scratches.

---

PHANTOM BASE - 12 mm

The Phantom BASE sink's bottoms are specifically engineered to be coupled with sinks made out of slabs. The perimetric trough makes for a simple and perfect installation. This version of Phantom BASE is meant for slabs of 12mm thickness.

---

PHANTOM BASE WITHOUT WELDING

The steel bottom Phantom BASE solves the problem of water draining of slab sinks, because the slope built into the moulded bottom ensures perfect draining. The radius and sloped profile of Phantom BASE guarantee great practicality and hygiene in everyday cleaning.

---

High thickness

1mm thick steel. A significant thickness, which guarantees the maximum sturdiness and durability.

---

Small radius

Bowls with squared shapes with a modern design and an increased capacity, for a minimal aesthetics connected with an extreme practicality.

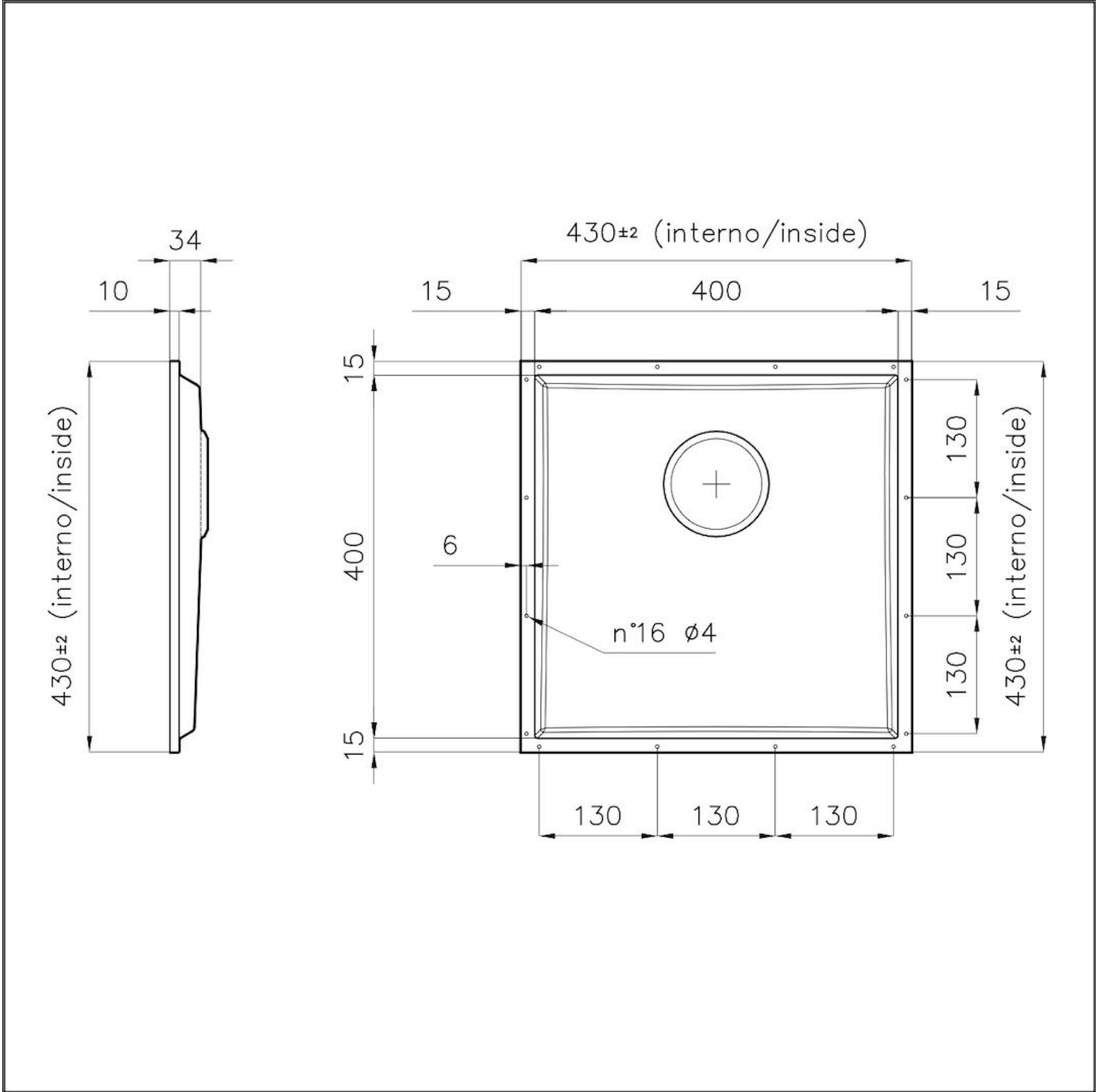
---

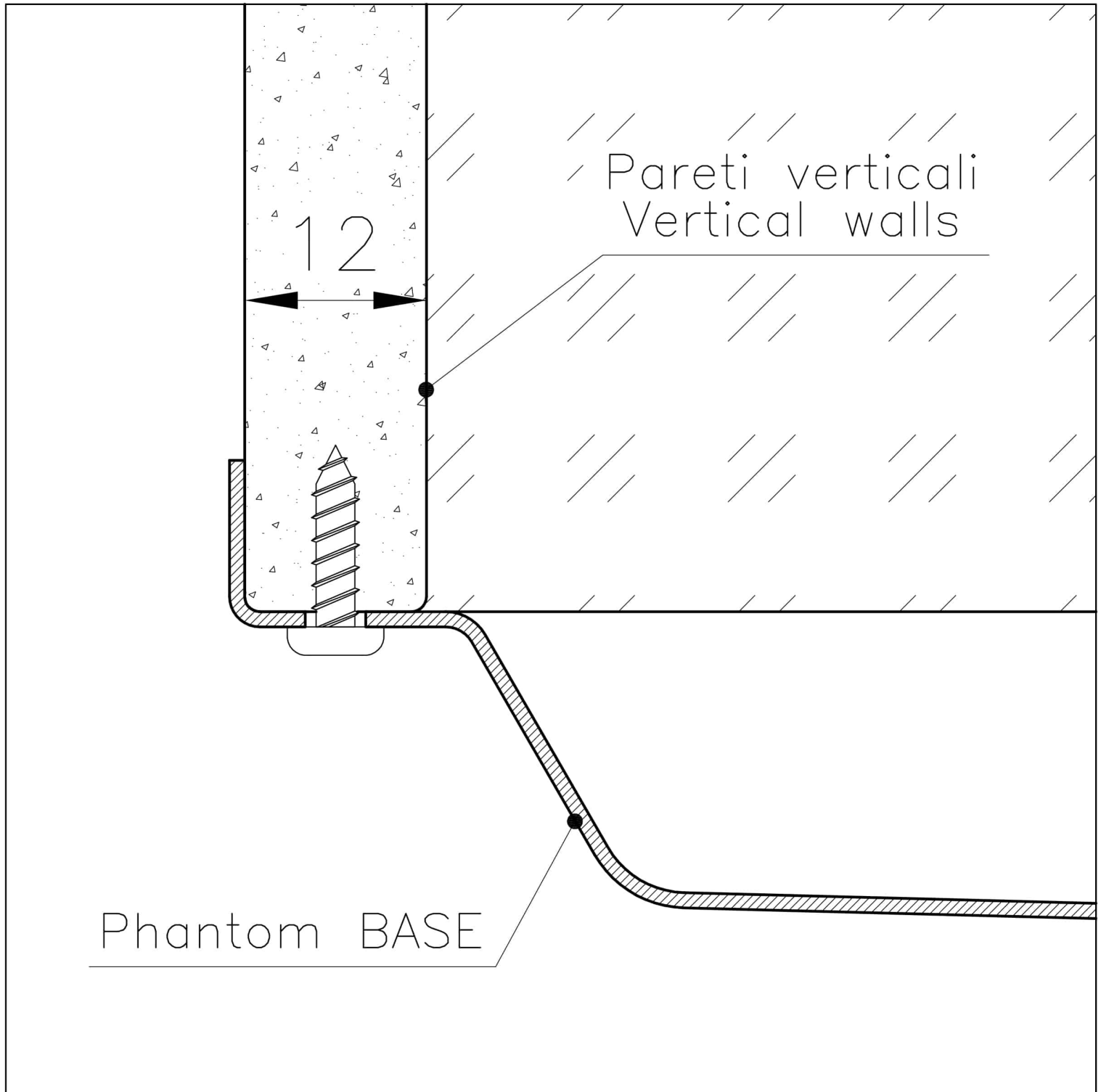
Perimetral overflow

The overflow is always a security on the Foster sinks that prevents the overflow of water in case of oversights. The perimeter drain solution improves aesthetics thanks to its square and essential shape.

---

## TECHNICAL DATA

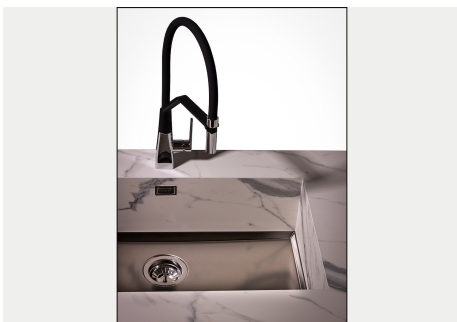






DETTAGLIO PER TROPPO PIENO / OVERFLOW DETAILS

## GALLERY



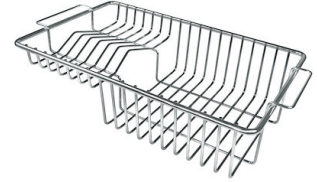
## OPTIONAL ACCESSORIES



**Cestello inox**  
8612 000



**HPDE Chopping board**  
8657 001



**Stainless steel plate rack**  
8100 201



**White basket**  
8612 100



**White bowl**  
8153 100

## RECOMMENDED PAIRINGS



**Mixer Tap FL**  
8521 000



**Mixer Tap Omega**  
8497 000



**Mixer Tap Omega Gun Metal**  
8497 856



**Mixer Tap Omega Plus**  
8497 020



**Mixer Tap Omega Plus Gun Metal**  
8498 856

## OPTIONAL AUTOMATIC WASTE FITTINGS



**Automatic waste fitting**  
8407 113



**Gun Metal automatic waste fitting**  
8407 110